

### Capacity

- ※ Efficiency: ASHRAE 65%, 85%, 95%, 98%
- ※ Standard: EN779 M6, F7, F8, F9

### Operating Conditions

- ※ Temperature:  $\leq 70^{\circ}\text{C}$
- ※ Humidity:  $\leq 100\%RH$

### Technical Parameters

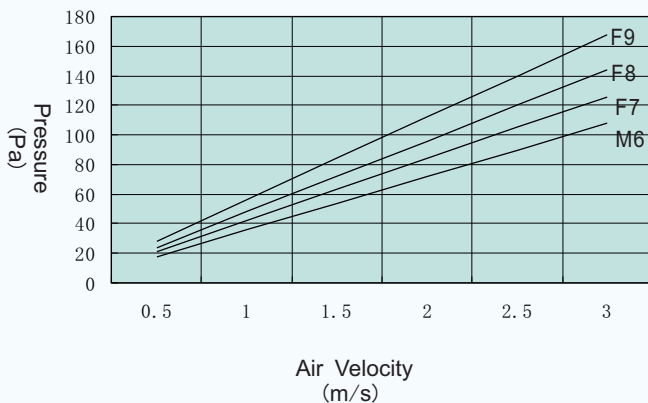
| Media           | Type          | WxHxD (mm)  | Area (m <sup>2</sup> ) | Efficiency | Airflow (CMH) | Initial Pressure (Pa) | Airflow (CMH) | Initial Pressure (Pa)※ |
|-----------------|---------------|-------------|------------------------|------------|---------------|-----------------------|---------------|------------------------|
| Glass fiber     | Single-header | 592x287x292 | 8.01                   | M6         | 1000          | 55                    | 1700          | 90                     |
|                 |               |             |                        | F7         |               | 65                    |               | 105                    |
|                 |               |             |                        | F8         |               | 80                    |               | 120                    |
|                 |               |             |                        | F9         |               | 95                    |               | 140                    |
|                 |               | 592x592x292 | 18.13                  | M6         | 2000          | 55                    | 3400          | 90                     |
|                 |               |             |                        | F7         |               | 65                    |               | 105                    |
|                 |               |             |                        | F8         |               | 80                    |               | 120                    |
|                 |               |             |                        | F9         |               | 95                    |               | 140                    |
| Synthetic fiber | Single-header | 592x287x292 | 7.56                   | M6         | 1000          | 38                    | 1700          | 70                     |
|                 |               |             |                        | F7         |               | 42                    |               | 80                     |
|                 |               |             |                        | F8         |               | 50                    |               | 90                     |
|                 |               |             |                        | F9         |               | 63                    |               | 105                    |
|                 |               | 592x592x292 | 16.9                   | M6         | 2000          | 38                    | 3400          | 70                     |
|                 |               |             |                        | F7         |               | 42                    |               | 80                     |
|                 |               |             |                        | F8         |               | 50                    |               | 90                     |
|                 |               |             |                        | F9         |               | 63                    |               | 105                    |

Recommended final pressure: 400Pa

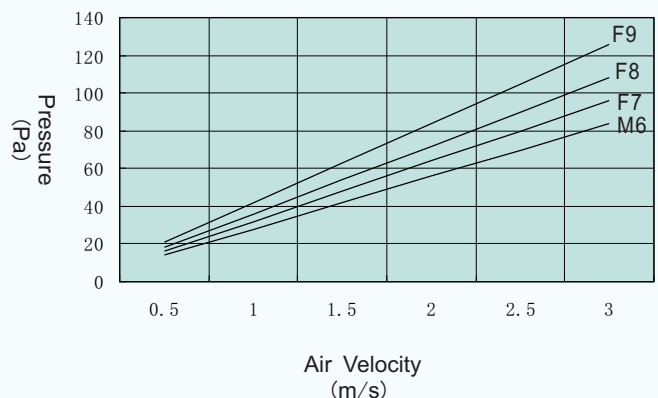
※ Pressure range  $\pm 15\%$ .

Above parameters for your reference only, please consult our technical person regarding the detailed specific parameters difference. Different sizes and specifications are available.

Glass fiber



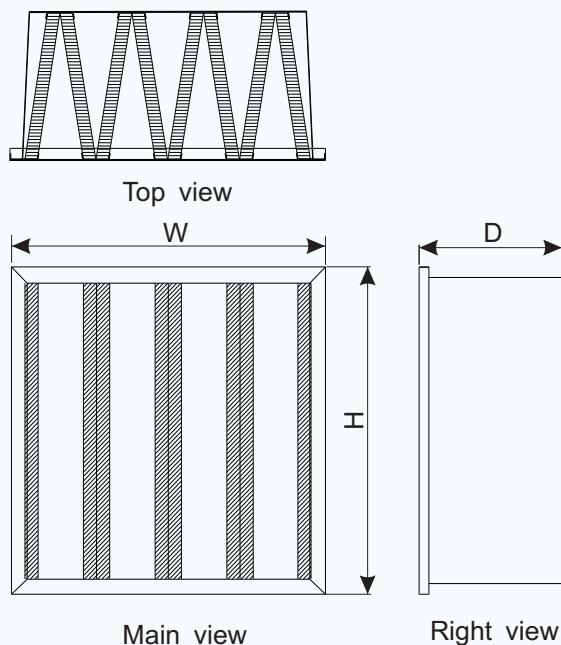
Synthetic fiber



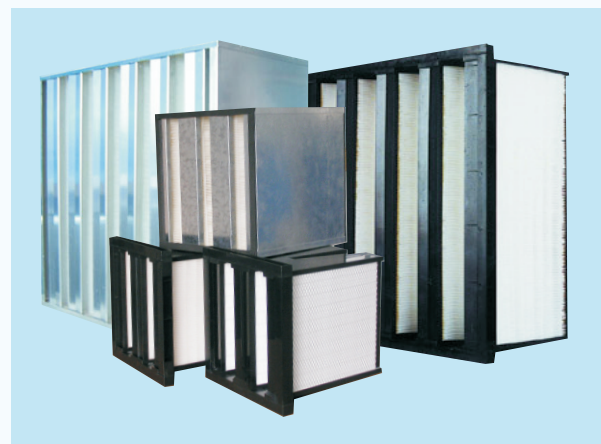
## Materials

|           |   |
|-----------|---|
| Frame     | ABS plastic, PS plastic, Aluminum sheet, Galvanized steel sheet(single header thickness 25mm and 20mm are available.) |
| Media     | Glass fiber, Synthetic fiber  |
| Separator | Hot melt  |
| Sealant   | Polyurethane  |
| Gasket    | CR,EVA,Neoprene,EPDM  |

## Three Dimensional View



## V-Bank series



## Applications

Main filters for commercial & industrial AHU, and for cleanroom MAU system

High relative humidity ventilation systems

Variable air volume(VAV) ventilation systems

Applicable industry: office building and household indoor air purification, electronics, food processing, pharmaceuticals, biological engineering, precision machinery ,hospitals, Automobile industry,.etc.

## Advantages

- ※ Low pressure drop
- ※ Large filtering surface area
- ※ Space saving design concept
- ※ Long operating life
- ※ Corrosion resistant
- ※ Polypropylene plastic frame, can be completely incinerated waste processing
- ※ The belt mounting flange frame (20/25MM) can be interchanged with the common bag filter

As part of our continuous improvement, Fleco reserve the right to change specifications without notice.